

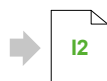


FT146	BLS043.240													
	24V						36V							
	n _{2MIN} [rpm]			n _{2MAX} [rpm]			n _{1MAX} [rpm]	n _{2MIN} [rpm]			n _{2MAX} [rpm]			n _{1MAX} [rpm]
M ₂ [Nm]	sf		M ₂ [Nm]	sf		M ₂ [Nm]		sf		M ₂ [Nm]	sf			
18.8	16.0	7.6	12.1	160	7.6	8.2	3000	21.3	7.6	12.1	213	7.6	7.3	4000
26.2	11.5	11	8.7	115	11	5.9		15.3	11	8.7	153	11	5.2	
28.3	10.6	11	8.1	106	11	5.5		14.2	11	8.1	142	11	4.8	
35.1	8.6	14	8.1	86	14	5.5		11.4	14	8.1	114	14	4.9	
39.4	7.6	16	7.1	76	16	4.8		10.1	16	7.1	101	16	4.2	
46.4	6.5	19	6.1	65	19	4.2		8.6	19	6.1	86	19	3.7	
52.9	5.7	21	5.4	57	21	3.7		7.6	21	5.4	76	21	3.2	
60.6	4.9	25	5.2	49	25	3.5		6.6	25	5.2	66	25	3.1	
70.0	4.3	28	4.5	43	28	3.0		5.7	28	4.5	57	28	2.7	
84.6	3.5	34	3.7	35	34	2.5		4.7	34	3.7	47	34	2.2	
95.6	3.1	39	3.3	31	39	2.2		4.2	39	3.3	42	39	2.0	
113.4	2.6	46	2.8	26	46	1.9		3.5	46	2.8	35	46	1.7	
133.4	2.2	54	2.3	22	54	1.6		3.0	54	2.3	30	54	1.4	
150.2	2.0	61	2.1	20	61	1.4		2.7	61	2.1	27	61	1.3	
160.4	1.9	65	2.1	19	65	1.4		2.5	65	2.1	25	65	1.3	
178.8	1.7	72	1.9	17	72	1.3		2.2	72	1.9	22	72	1.1	
223.9	1.3	91	1.5	13	91	1.0		1.8	91	1.5	18	91	0.9	
236.8	1.3	96	1.4	13	96	1.0		1.7	96	1.4	17	96	0.9	
300.1	1.0	121	1.1	10.0	121	0.8		1.3	121	1.1	13	118	0.7	
397.4	0.8	161	0.9	7.5	134	0.7		1.0	161	0.9	10	118	0.7	

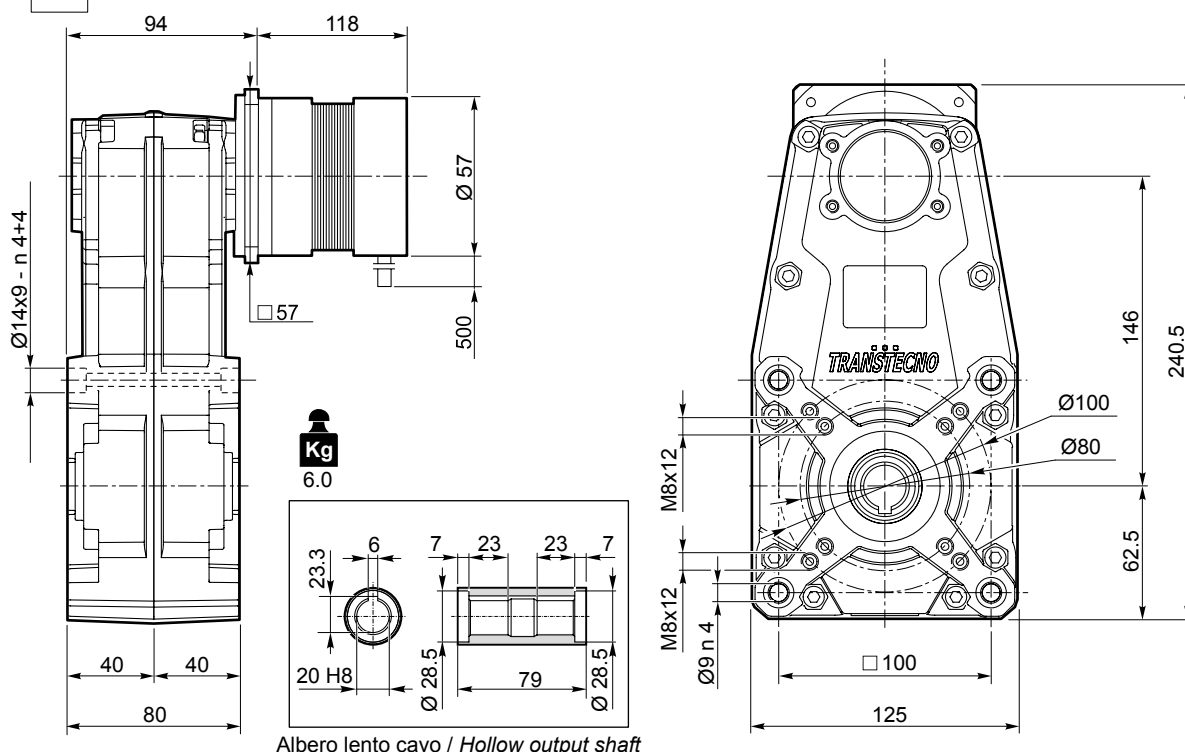
Attenzione: superamento della coppia nominale supportata dal riduttore per servizio S1. Contattare il ns. servizio tecnico
Attention: rated torque withstood by gear reducer for service in S1 is exceeded. Please, contact our technical office.

Tipo Type	Numero di poli Number of poles	Numero di fasi Number of phase	Tensione Rated voltage [V]	Numero di giri Rated speed [rpm]	Coppia nominale Rated torque [Nm]	Potenza nominale Rated power [W]
BLS043.240	4	3	36	4000	0.43	180
			24	3000		130
Tipo Type	Coppia massima Peak torque [Nm]	Corrente nominale Rated current [A]	Resistenza Resistance [ohm]	Induttanza Inductance [mH]	Corrente massima Peak current [A]	Peso Weight [kg]
BLS043.240	0.86	6	0.35	1	12.0	1.25

Azionamenti
Drives



FT146U
+
BLS043.240



Albero lento cavo / Hollow output shaft



Motoriduttori brushless pendolari Brushless helical parallel gearmotors

FT146 con motore brushless

FT146 with brushless motor

FT146	BL070.480						
	48V						
ir	n _{2MIN} [rpm]			n _{2MAX} [rpm]			n _{1MAX} [rpm]
	M ₂ [Nm]	sf		M ₂ [Nm]	sf		
18.8	16.0	12	7.5	160	12	5.1	3000
26.2	11.5	17	5.3	115	17	3.6	
28.3	10.6	19	4.9	106	19	3.4	
35.1	8.6	23	5.0	86	23	3.4	
39.4	7.6	26	4.3	76	26	2.9	
46.4	6.5	31	3.8	65	31	2.6	
52.9	5.7	35	3.3	57	35	2.2	
60.6	4.9	40	3.2	49	40	2.2	
70.0	4.3	46	2.7	43	46	1.9	
84.6	3.5	56	2.3	35	56	1.5	
95.6	3.1	63	2.0	31	63	1.4	
113.4	2.6	75	1.7	26	75	1.1	
133.4	2.2	88	1.4	22	88	1.0	
150.2	2.0	99	1.3	20	99	0.9	
160.4	1.9	106	1.3	19	106	0.9	
178.8	1.7	118	1.2	17	118	0.8	
223.9	1.3	147	0.9	13	134	0.7	
236.8	1.3	156	0.9	13	134	0.7	
300.1	1.0	170	0.8	10	134	0.7	
397.4	0.8	170	0.8	7.5	134	0.7	

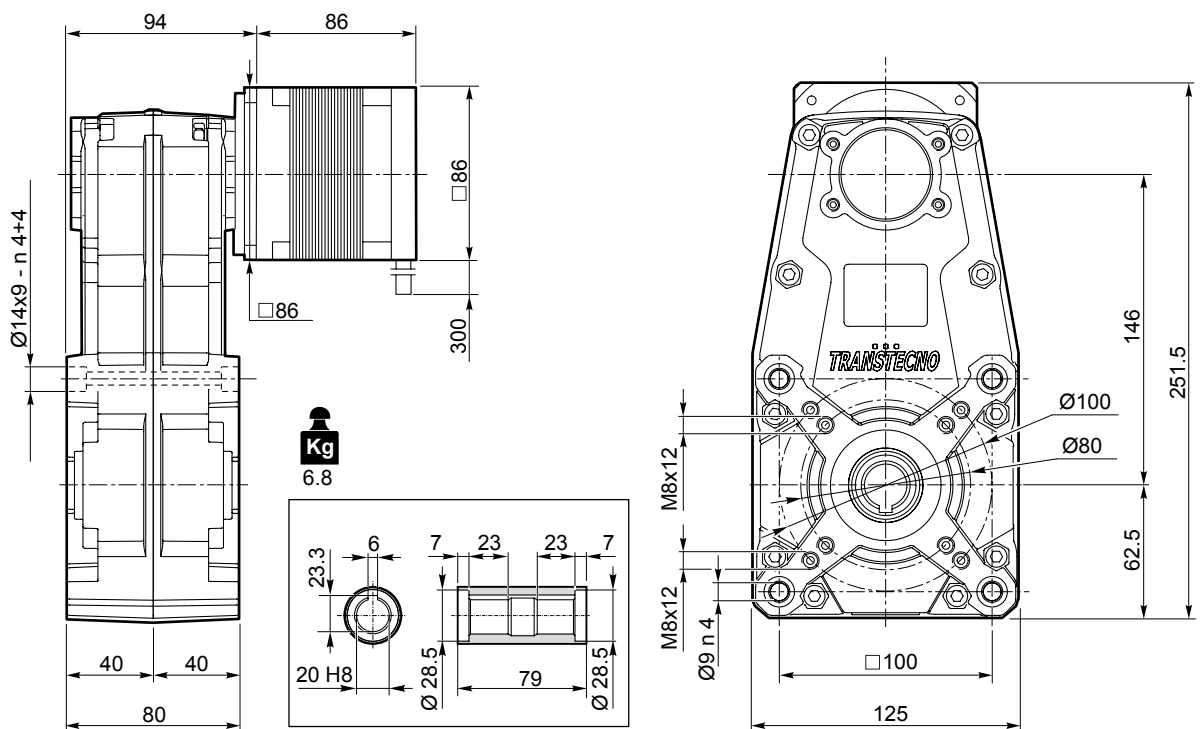
Attenzione: superamento della coppia nominale supportata dal riduttore per servizio S1. Contattare il ns. servizio tecnico
Attention: rated torque withstood by gear reducer for service in S1 is exceeded. Please, contact our technical office.

Tipo Type	Numero di poli Number of poles	Numero di fasi Number of phase	Tensione Rated voltage [V]	Numero di giri Rated speed [rpm]	Coppia nominale Rated torque [Nm]	Potenza nominale Rated power [W]
BL070.480	8	3	48	3000	0.70	220
Tipo Type	Coppia massima Peak torque [Nm]	Corrente nominale Rated current [A]	Resistenza Resistance [ohm]	Induttanza Inductance [mH]	Corrente massima Peak current [A]	Peso Weight [kg]
BL070.480	1.4	6.5	0.34	1.0	13.0	2.1

Azionamenti
Drives

14

FT146U
+
BL070.480



Albero lento cavo / Hollow output shaft